



LOOKING
AFTER YOUR
PATIO DOOR



 **PatioMaster**[®]
IN-LINE SLIDING PATIO DOOR

Introduction



2



3

When choosing a patio door for your home, you're no doubt looking for an aesthetically attractive design which offers a pleasing combination of security, functionality and insulation. Now that you've had your beautiful new in-sliding doors installed, it's time to give them the attention they deserve.

Our patio doors are designed to be low maintenance but caring for your door will save you time and money.

PatioMaster recommend that you carry out routine maintenance on your door at least twice a year. In areas of high exposure you may want to do this more frequently.

To help you with that, we have put together this guide to provide you with the relevant information to help you keep your patio door looking beautiful and operating smoothly for many years.

 **PatioMaster**
IN-LINE SLIDING PATIO DOOR

Operation Instructions



4

In-Line Sliding Patio Door

The general service and maintenance tasks recommended are simple to carry out and do not require specialist skills, tools or equipment.



5

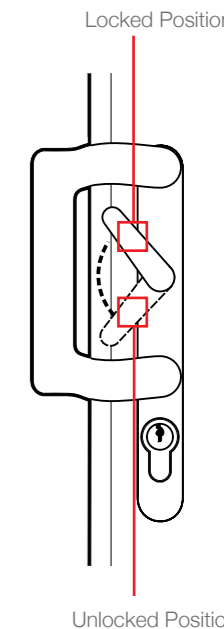
Operating Instructions

To Lock

- Slide door to fully closed position.
- Lift lever behind handle (Hooks will engage to lock the door).
- Turn key to deadlock.

To Unlock

- Insert the key in cylinder and rotate to unlock the mechanism.
- Depress lever behind handle. (Bolts and cams will disengage).
- Slide door open.



Maintenance Instructions



6

Precautions

When using cleaning and lubricating products always follow the manufacturer's instructions and take care not to use an excessive quantity. For cleaning products, always test a small area of the product in an obscure location first.



NOTE: Do not use solvent-based or abrasive cleaning products or products containing bleaching agents. Do not use metal polish or a wirebrush



7

PVC-U Frame Cleaning

Periodically, clean the internal and external surfaces of the frame to remove any grime and atmospheric deposit. Always use a soft cloth.

Stage 1 - Clean with mild liquid detergent solution and rinse with water.

Stage 2 - For harder to remove marks clean with "Solusafe" liquid cleaner.

Stage 3 - Stubborn marks can be removed with a stronger, non abrasive, proprietary cleaner such as a cream. Always take care not to disturb sealant.



NOTE: Foiled frames can be cleaned as per PVC-U frames, but the cream cleaners are not recommended.

Glass Cleaning



8

Glass Cleaning

Float glass (used in most double glazed units) is easily scratched and it is therefore recommended that hand jewellery is removed prior to cleaning. Any proprietary household glass cleaner may be used with a soft cloth and it is recommended that heavy external grime be initially removed with a liquid detergent solution.



Leaded Glass Cleaning

In this type of double glazing, lead strips are bonded to the inside / outside of the outer pane of the unit in a variety of patterns. Take care when cleaning leaded lights as excessive pressure might dislodge the lead from the glass surface. The use of warm soapy water and a soft cloth (moderately applied) will prove an adequate cleaning method.



Note: external lead will oxidise, this is a natural phenomenon and cannot be avoided

Lubrication



10



Lubrication (as required)

Lock

- Oil the locking points of the mechanism.

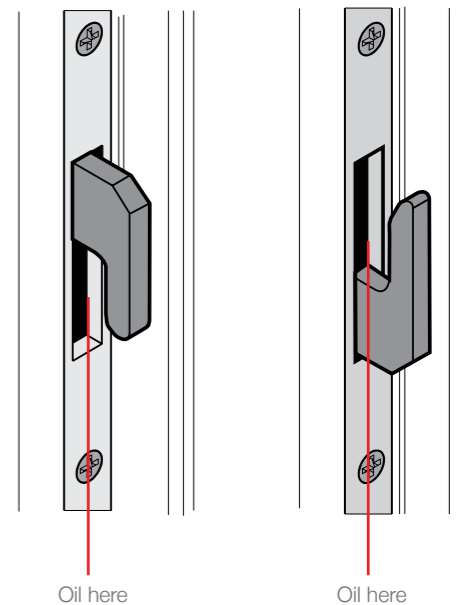
Lock Cylinder

- Do not lubricate (packed with special grease).

Bottom Track

- Keep permanently free of dirt and obstruction.

11



An **outstanding door**,
an expert team and
superb support



www.patiomaster.co.uk

